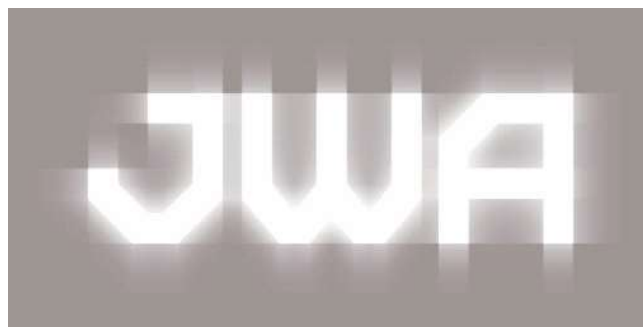
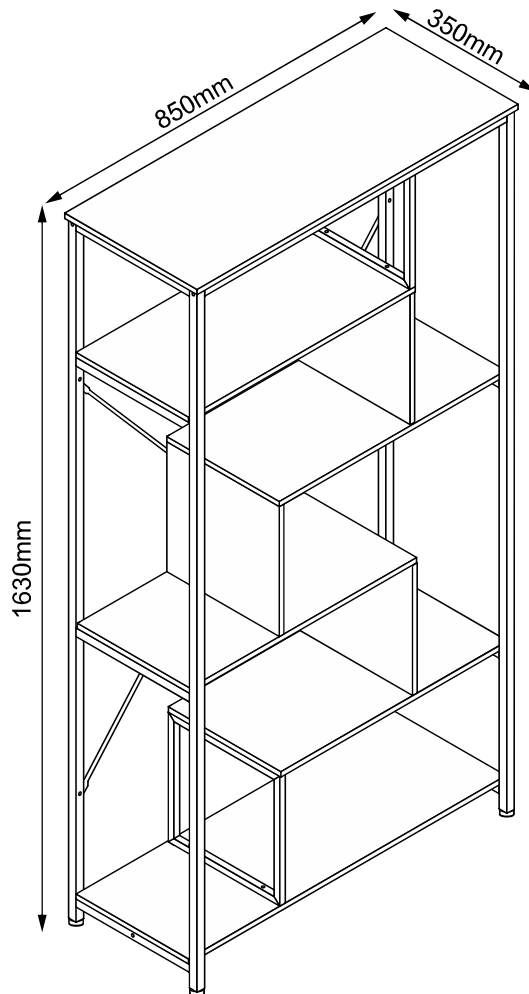


ASSEMBLY INSTRUCTION

CALDWELL

3 Drawer Entertainment Unit

CALDWELL 79898

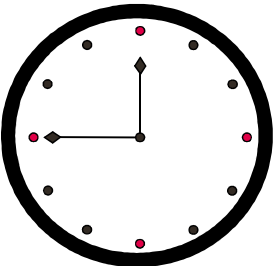
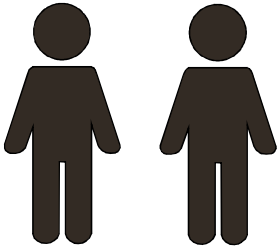



Imported by JWA Furniture Pty Ltd, Qld, Brisbane Australia.
For any assistance with assembly or for missing parts please refer to your receipt

PRE-ASSEMBLY PREPARATION

Before you start:

1. Choose a clean, level, spacious assembly area. Avoid hard surfaces that may damage the product
2. Take care when lifting. Product should be assembled as near as possible to the point of use
3. Ensure that you have all required contents for complete assembly
4. Always read the assembly instructions carefully before beginning assembly.
5. Keep all hardware parts and packaging out of reach of small children.
6. Do not over tighten the screws and bolts as this may damage the threads
7. Assembly is to be carried out by a competent adult(s) ONLY
8. During assembly, children should be kept away from the product due to possible risk to injury.
9. Do not use this item if any components are missing or damaged.
10. Please keep the instructions for future reference.

		
Allow 45min	For 2 person	Additional tools required



TIPPING WARNING





Serious or fatal injuries may occur from furniture toppling over. To help avoid this please follow the below recommendations;

- Install the provided "Tipping Kit" as per the instructions
- Never allow children to climb on or hang off of any part of this product
- Unless specifically designed to accommodate, do not set TVs or other heavy objects on top of this product

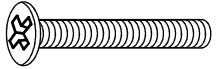
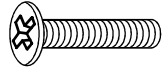
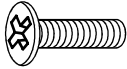


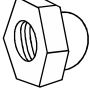


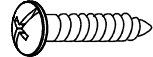
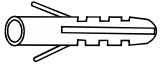
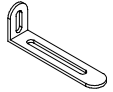
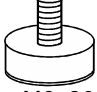
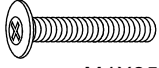
IF this product has drawers:

- Place the heaviest items in lowest drawers
- Do not open more than 1 drawer at a time as this may cause the product to become unbalanced
- Do not tamper with or remove any drawer interlocking/running system

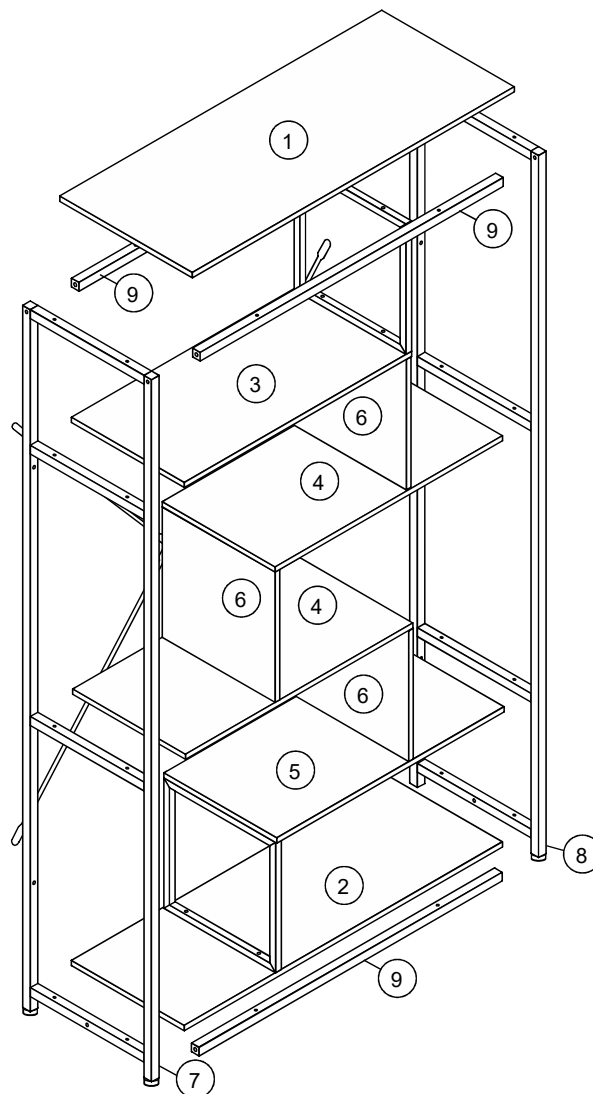
Note:The use of the provided "Tipping Kit" may reduce but not necessarily eliminate the risk of furniture toppling over. Please use this product with caution.

This is a permanent label. Do not attempt to remove!

PARTS LIST

A  M6X40mm 6pcs	B  M6X25mm 22pcs	C  M6X20mm 8pcs	D  M6X15mm 4pcs	E  M6 4pcs
F  M4 1pc	G  ST4X35mm 12pcs	H  ST3.5X14mm 4pcs	I  ST4X25mm 2pcs	J  2pcs
K  2pcs	L  M8x20x10mm 4pcs	M  M4X25mm 1pc		

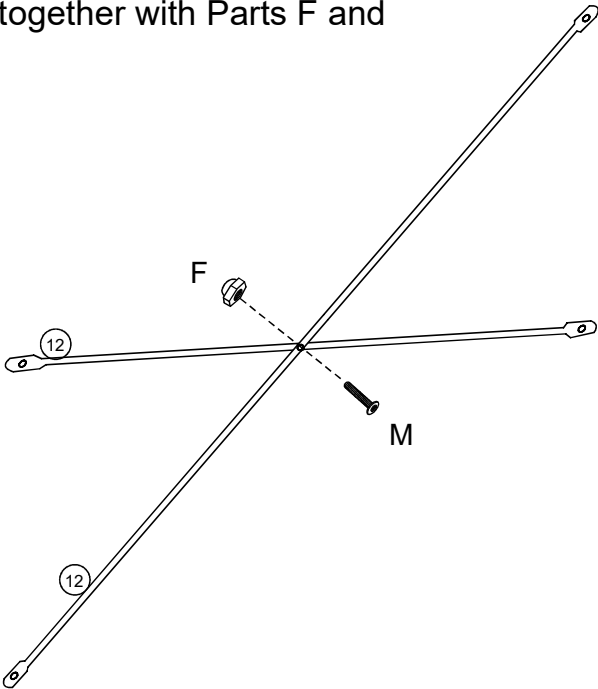
1	Top panel
2	Bottom Panel
3	Upper Shelf
4	Middle Shelf
5	Bottom Shelf
6	Vertical panel



7	Left frame
8	Right frame
9	Connecting tube
10	Upper metal frame
11	Lower metal frame
12	Cross bar

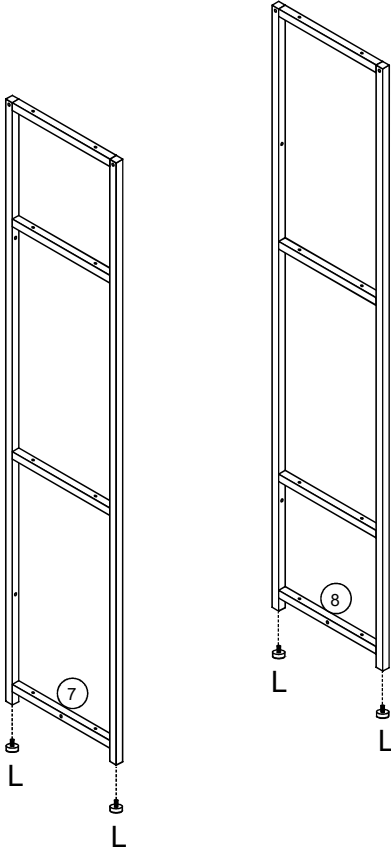
STER 1:

1. Attach 2 PCS 12 together with Parts F and M.



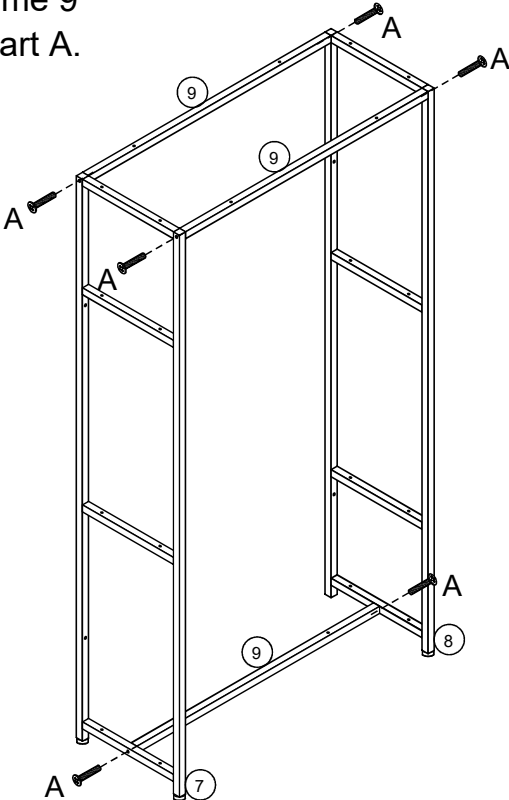
STER 2:

1. Insert part L into frame 7 and 8.



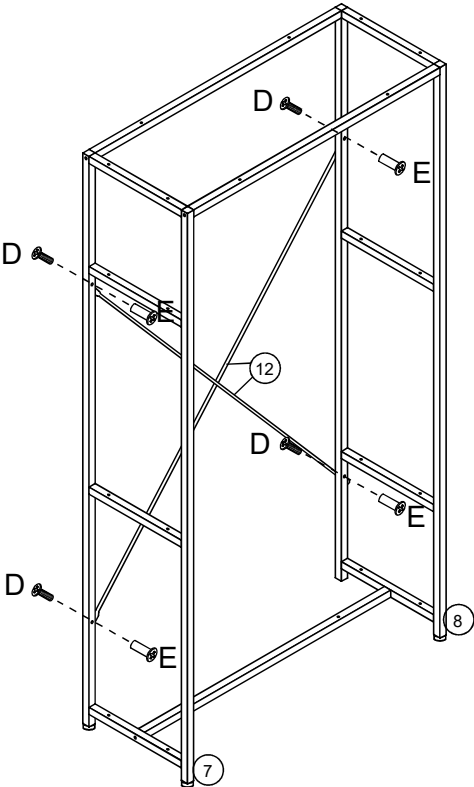
STER 3:

1. Attach connection frame 9 to frame 7 and 8 with part A.



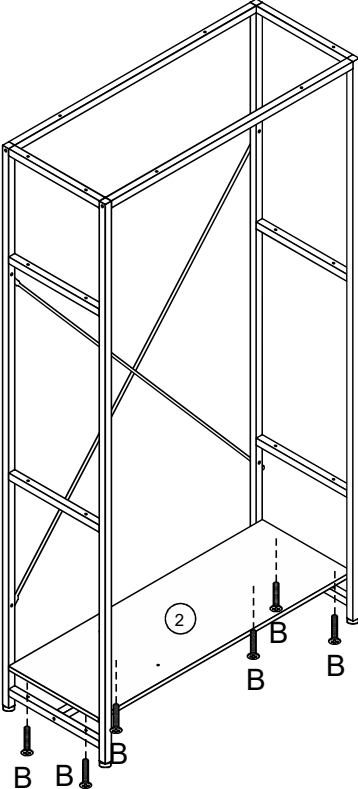
STER 4:

1. Attach assembled 12 to frame 7 and 8 with parts D and E.



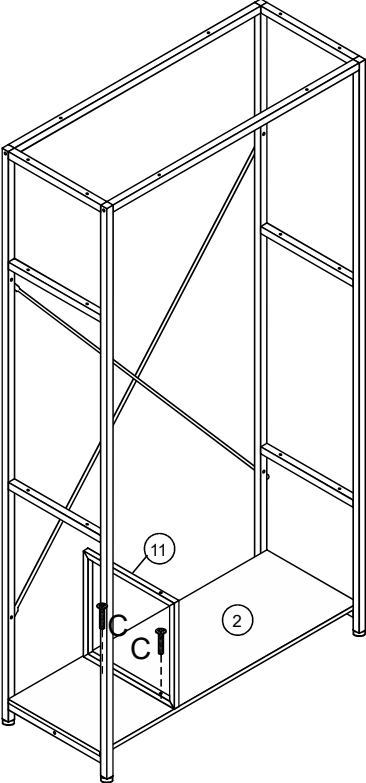
STER 5:

1. Attach panel 2 to connecting tube 9 with part B.



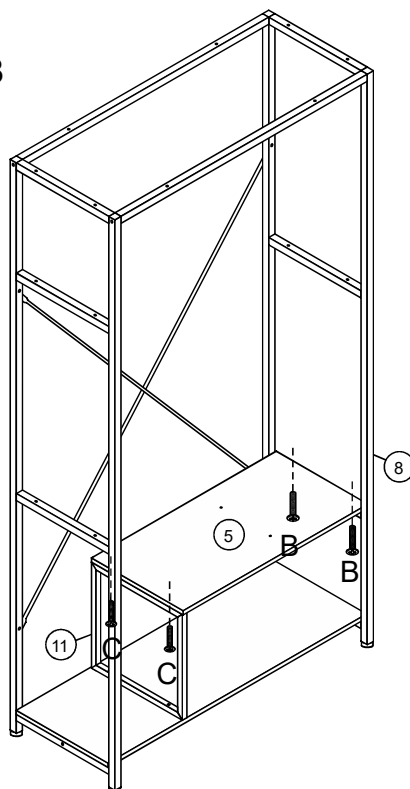
STER 6:

1. Attach 11 to panel 2 with part C.



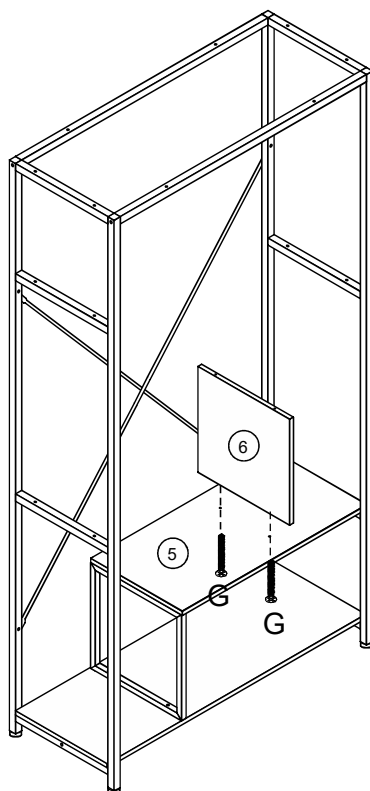
STER 7:

1. Attach 11 to panel 5 with part C.
2. Attach panel 5 to frame 8 with part B.



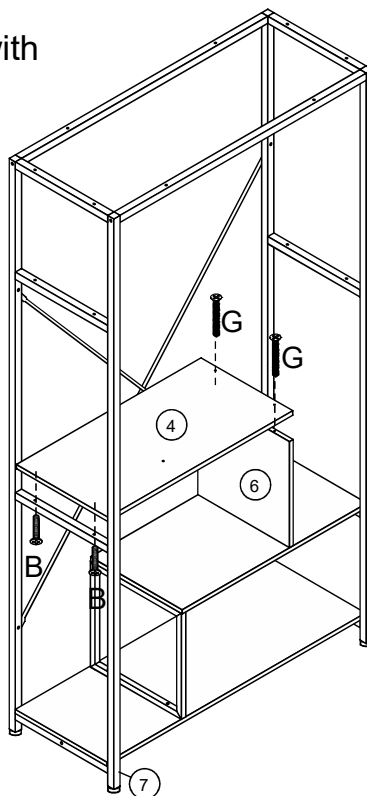
STER 8:

1. Attach panel 6 to panel 5 with part G.



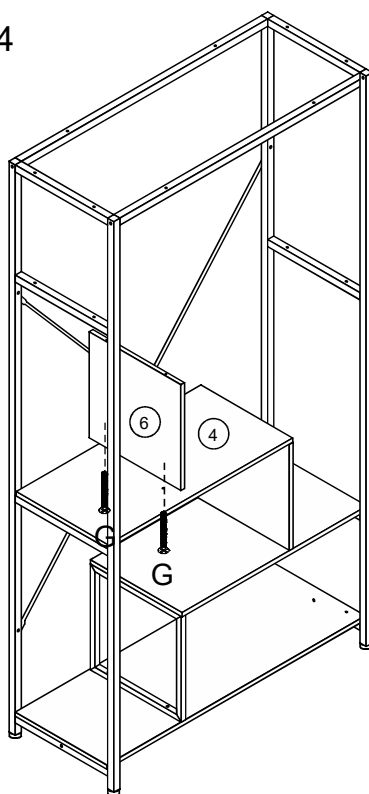
STEP 9:

1. Attach panel 4 to panel 6 with part G.
2. Attach panel 4 to frame 7 with part B.



STEP 10:

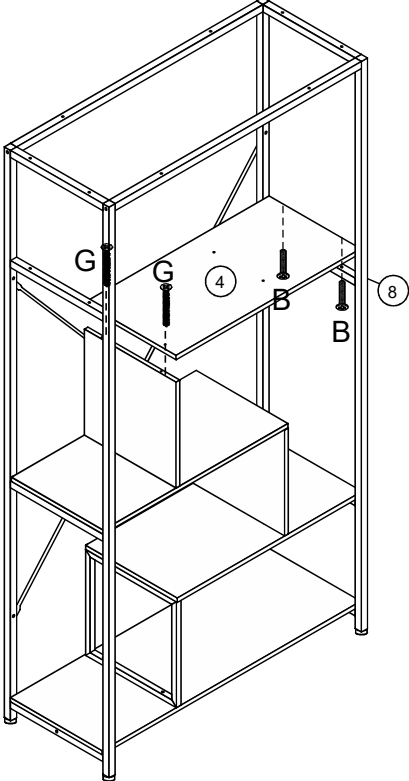
1. Attach panel 6 to panel 4 with fitting G.



STER 11:

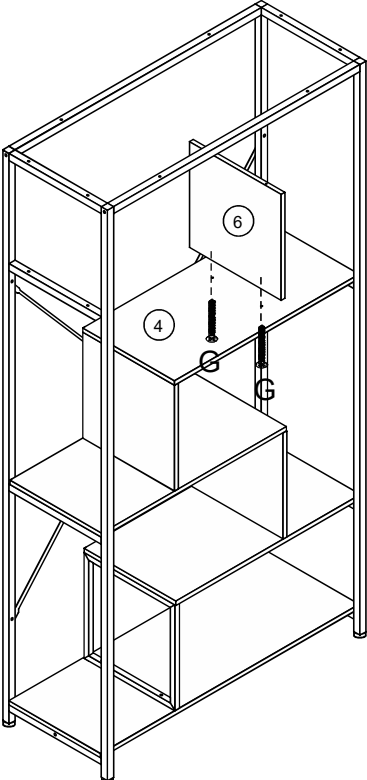
1. Attach panel 4 to panel 6 with part G.

2. Attach panel 4 to frame 8 with part B.



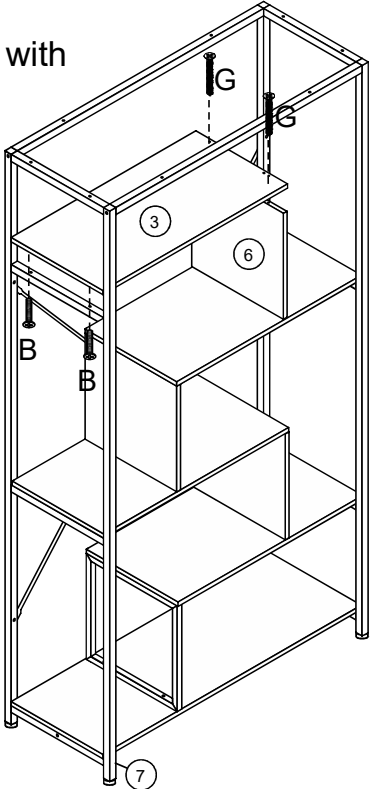
STER 12:

1. Attach panel 4 to panel 6 with part G.



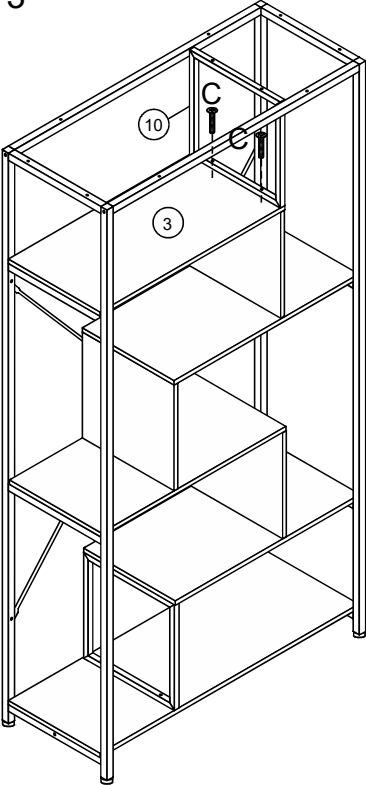
STER 13:

- 1. Attach panel 3 to panel 6 with part G.
- 2. Attach panel 3 to frame 7 with part B.



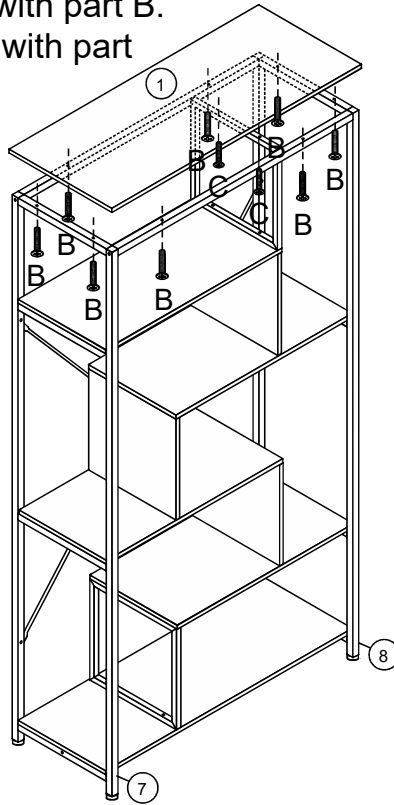
STER 14:

- 1. Attach frame 10 to panel 3 with part C.



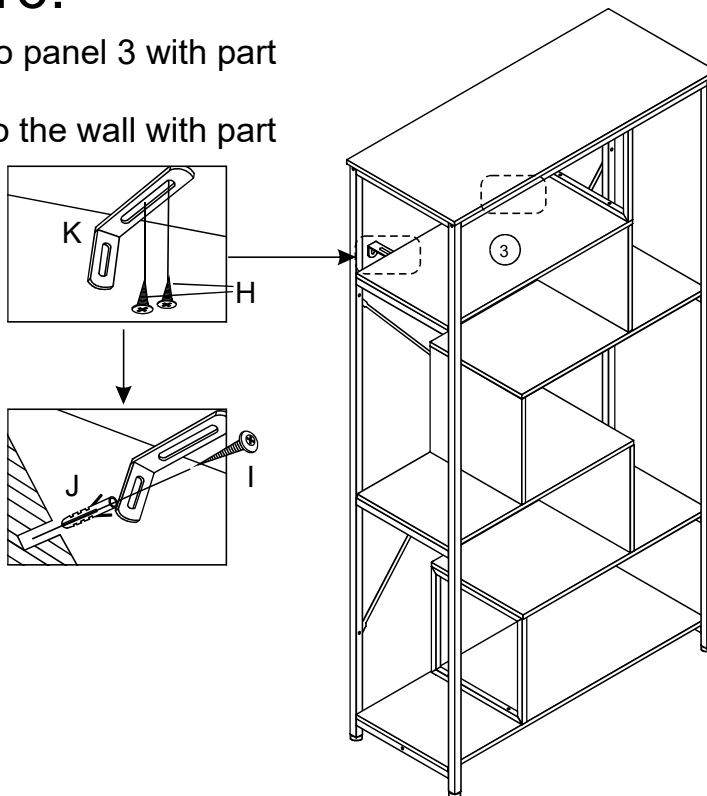
STER 15:

1. Attach frame 7, frame 8 and connecting tube 9 to panel 1 with part B.
2. Attach frame 10 to panel 1 with part C.

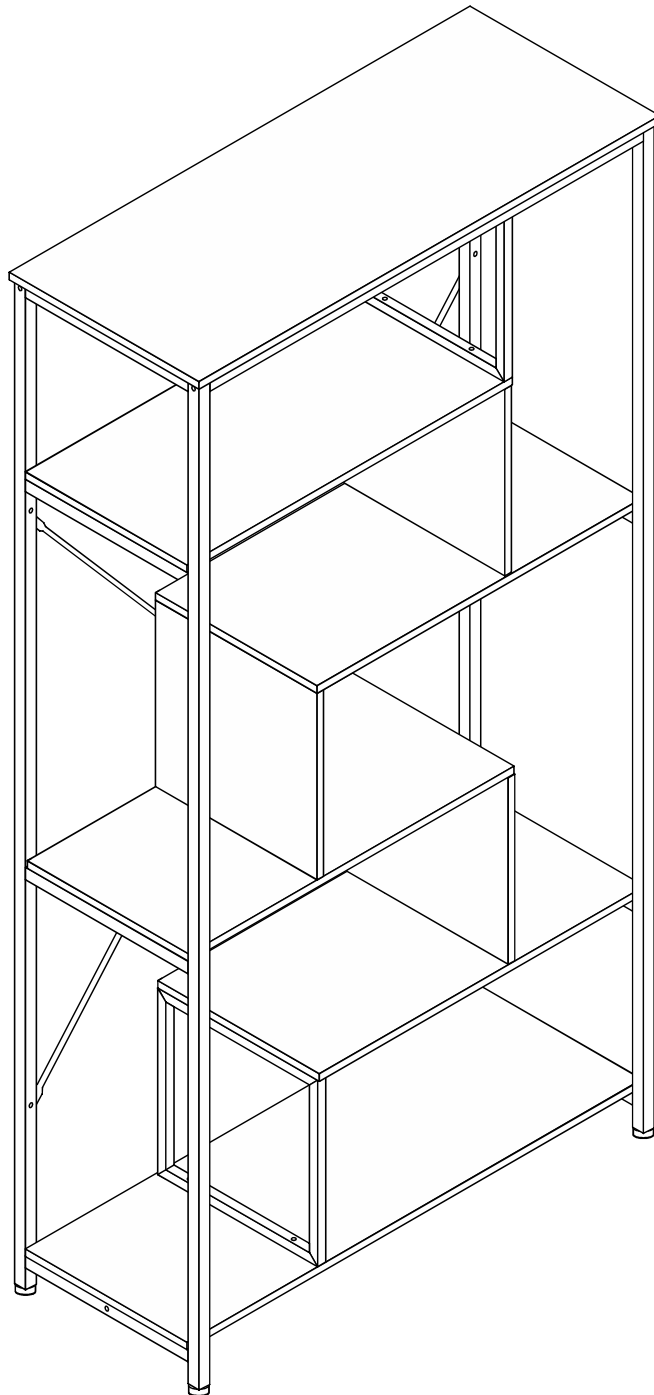


STER 16:

1. Attach K to panel 3 with part H.
2. Attach I to the wall with part J.



**STER 17:
Assembly
complete!**



To protect your furniture, we suggest the following:

- Avoid placing your furniture in direct sunlight.
- Do not place furniture directly under windows.
- Do not place sharp materials (knife, fork, etc.) directly onto your furniture as sharp material may scrape and damage the finish.
- Do not place material with high temperature directly onto the surface of your furniture.
- Clean up spills quickly. Water left over a prolonged period of time may cause damage. Alcohol, perfume, nail polishes, aftershave and some medication may cause severe finish damage if not cleaned immediately.
- Use a clean, soft, dry, lint free absorbent cloth to clean your furniture. Do not use any detergent as they may contain ingredients that may react and damage the finish.

NOTE: If the above care advise is not adhered to your product warranty may become void